

Combined mains filter and choke (3 A - 150 A)

Series CNW 300 Type CNW 304

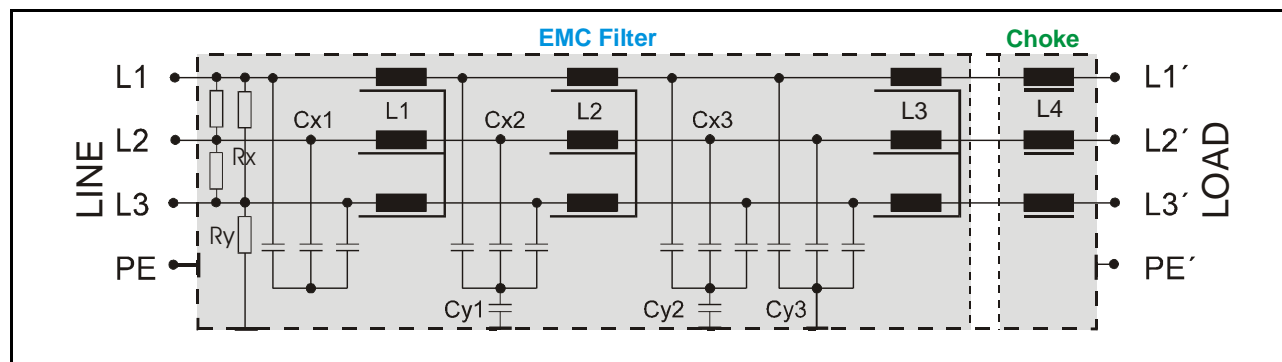
Applications:

Interference suppression of frequency converters with IGBTs and reduction of harmonics (conforming to VDE 0160/EN 61800-3 class B).



Conforming to VDE 0565-3/ IEC 950/ UL 1283	Test voltage L-L 2100 V, DC 1 s L-PE 2700 V, DC 1s
Overload 1.5 x rated current 1 min / h	Climatic rating DIN IEC 60068-1

Circuit example



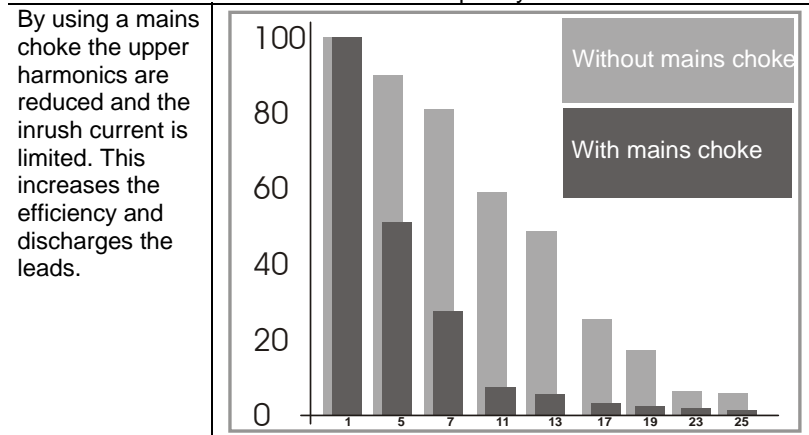
Benefits:

- Compact design
- Reduced weight
- Easy installation
- Reduced losses
- Mechanical stress reduction
- Reduced start-up current
- Easy installation
- Small footprint
- Reduction of cable looms in control panels
- Attenuation of higher harmonics
- Low hum vacuum impregnated choke
- Improved power factor
- Reduces tripping
- Semiconductor life extended
- CE Mark
- The choke is rated for a short-circuit voltage of 4 %, at rated current, as standard

Technical data

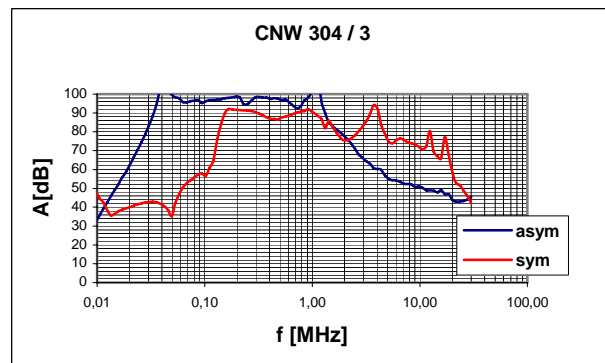
Type	Rated voltage [V]	Rated current [A]	Leakage current [mA]	ΣL [mH]	ΣCx [μF]	ΣCy [μF]	Rx [k]	Ry [k]
CNW 304/3	3 x 400	3	<30	6.0	2.5	1.0	560	560
CNW 304/6		6	<30	4.4	2.5	1.0	560	560
CNW 304/10		10	<30	3.6	2.5	1.0	560	560
CNW 304/16		16	<30	3.0	3.0	1.1	560	560
CNW 304/25		25	<30	2.4	3.0	1.1	560	560
CNW 304/36		36	<30	2.0	3.0	1.1	560	560
CNW 304/50		50	<30	1.8	3.0	1.1	560	560
CNW 304/80		80	<35	1.0	3.0	2.0	560	560
CNW 304/120		120	<35	0.5	7.0	2.0	560	560
CNW 304/150		150	<35	0.4	7.0	2.0	560	560

Frequency: 50/60 Hz



Example of Insertion loss

Other insertion losses on request

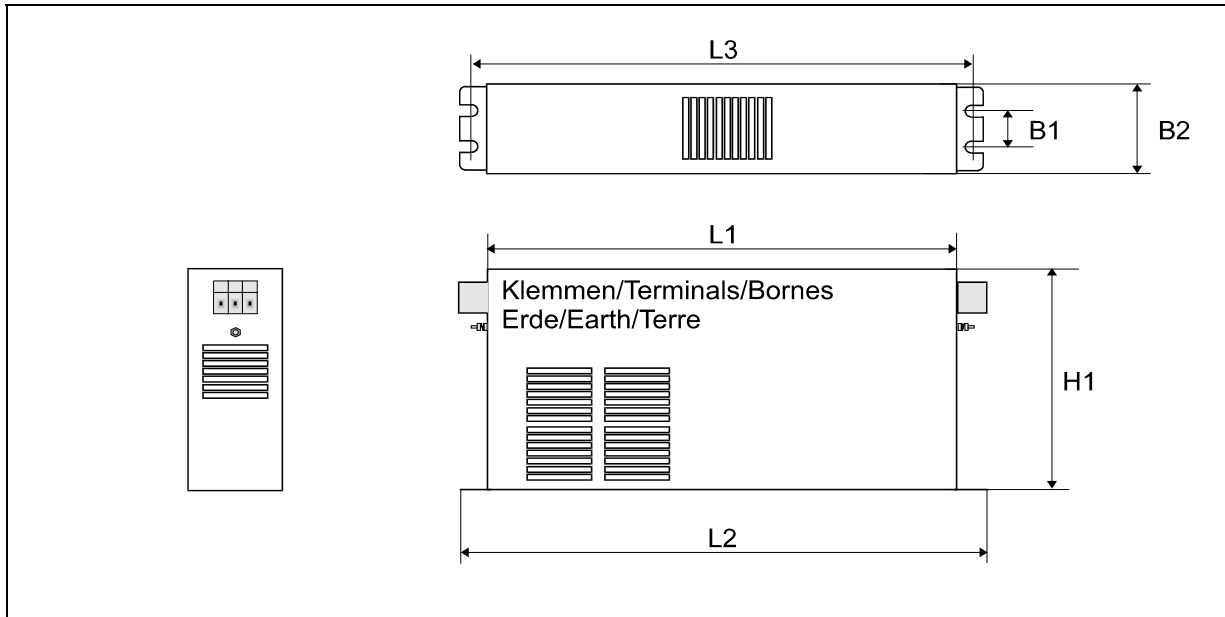


Per CISPR 17

Blue graph 50 Ω /50 Ω asym.

Red graph 50 Ω /50 Ω sym.

Dimension Drawing



Type	Dimensions						Connections	
	L1 [mm]	L2 [mm]	L3 [mm]	B1 [mm]	B2 [mm]	H1 [mm]	Terminal	Earth
CNW 304/3	180	210	195	80	140	120	4 mm ²	M5
CNW 304/6	180	210	195	80	140	120	4 mm ²	M5
CNW 304/10	180	210	195	80	140	120	4 mm ²	M5
CNW 304/16	220	250	235	100	170	160	4 mm ²	M5
CNW 304/25	220	250	235	100	170	160	6 mm ²	M5
CNW 304/36	220	250	235	100	170	160	10 mm ²	M5
CNW 304/50	300	330	315	120	190	210	25 mm ²	M6
CNW 304/80	300	330	315	120	190	210	50 mm ²	M8
CNW 304/120	400	440	420	200	280	240	50 mm ²	M10
CNW 304/150	400	440	420	200	280	240	95 mm ²	M10